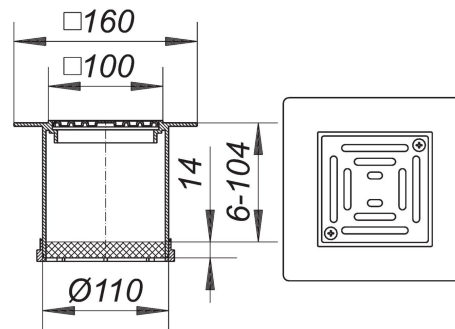


21. November 2019

DALLMER**grating PVC-EN 10, secured grate, 100 x 100 mm**

Product No. **510150**
 EAN: 4001636510150
 Discount group: 3



used with floor drain types 40, 42 and 46
 characteristics with flange for securing flexible flooring
 spigot PVC, extendable with DN 100 plastic pipe
 frame PVC, 100 x 100 mm
 grate 304 stainless steel, secured, load class K 3 (300 kg)

Some of these gratings can be supplied with d: 103 mm spigot where its use is allowed.
 Please enquire.

| Product No. | Description | Dimensions |
|-------------|--------------------|------------|
| 495013 | drainage ring S 10 | |

| Product No. | Description | Dimensions |
|-------------|--|------------|
| 495020 | Back flow seal S 10, d: 110 mm | d: 110 mm |
| 405227 | floor drain body type 40 DallBit, DN 50 | DN 50 |
| 405135 | Floor drain body type 40 PE, DN 50/OD 50 | DN 50 |
| 405128 | Floor drain body type 40 S, DN 50 | DN 50 |
| 422026 | Floor drain body type 42 DallBit, inlet DN 40, DN 50 | DN 50 |
| 420022 | Floor drain body type 42 S, inlet DN 40, DN 50 | DN 50 |
| 421722 | Floor drain body type 42/3, 3 inlets DN 40, DN 50 | DN 50 |
| 462053 | Floor drain body type 46 DallBit, inlet DN 40, DN 50 | DN 50 |

21. November 2019

DALLMER

| | | |
|--------|--|----------|
| 460059 | Floor drain body type 46 S, inlet DN 40, DN 50 | DN 50 |
| 495143 | hair sieve S 10, d: 91 mm | d: 91 mm |
| 831569 | raising piece type 85 | |
| 832566 | raising piece type 85 DallBit | |
| 495839 | self-closing flap-valve S 10, d: 92 mm | d: 92 mm |
| 495167 | vandal resistant screws, 2 pieces, M 5 x 8 | M 5 x 8 |