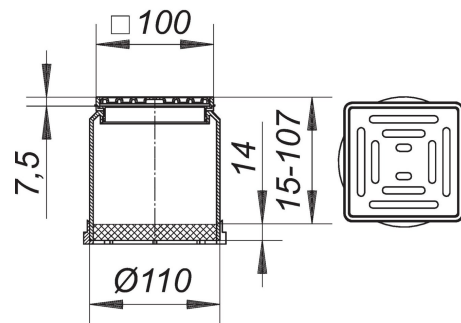


21. November 2019

DALLMER**grating E 10, 100 x 100 mm**

Product No. **510006**
 EAN: 4001636510006
 Discount group: 3



used with floor drain types 40, 42 and 46, with balcony drain types 83 and 84 as well as type 85 raising piece
 spigot polypropylene, extendable with DN 100 plastic pipe
 frame ABS, 100 x 100 mm
 grate 304 stainless steel, class K 3 (300 kg)

Some of these gratings can be supplied with d: 103 mm spigot where its use is allowed.
 Please enquire.

Product No.	Description	Dimensions
830104	balcony drain type 83 E, DN 50, 100 x 100 mm	DN 50, 100 x 100 mm
830111	balcony drain type 83 E, DN 70, 100 x 100 mm	DN 70, 100 x 100 mm
831101	balcony drain type 84 E, DN 50, 100 x 100 mm	DN 50, 100 x 100 mm
831118	balcony drain type 84 E, DN 70, 100 x 100 mm	DN 70, 100 x 100 mm
495013	drainage ring S 10	

Product No.	Description	Dimensions
495020	Back flow seal S 10, d: 110 mm	d: 110 mm
832023	balcony drain body type 83 DallBit, DN 50	DN 50
832047	balcony drain body type 83 DallBit, DN 70	DN 70
830326	balcony drain body type 83 KF, DN 50	DN 50

21. November 2019

830340	balcony drain body type 83 KF, DN 70	DN 70
830029	balcony drain body type 83, DN 50	DN 50
830043	balcony drain body type 83, DN 70	DN 70
832160	balcony drain body type 84 DallBit, DN 100	DN 100
832122	balcony drain body type 84 DallBit, DN 50	DN 50
832146	balcony drain body type 84 DallBit, DN 70	DN 70
831323	balcony drain body type 84 KF, DN 50	DN 50
831347	balcony drain body type 84 KF, DN 70	DN 70
831064	balcony drain body type 84, DN 100	DN 100
831026	balcony drain body type 84, DN 50	DN 50
831040	balcony drain body type 84, DN 70	DN 70
839503	clamp ring S 10	
405227	floor drain body type 40 DallBit, DN 50	DN 50
405135	Floor drain body type 40 PE, DN 50/OD 50	DN 50
405128	Floor drain body type 40 S, DN 50	DN 50
422026	Floor drain body type 42 DallBit, inlet DN 40, DN 50	DN 50
420022	Floor drain body type 42 S, inlet DN 40, DN 50	DN 50
421722	Floor drain body type 42/3, 3 inlets DN 40, DN 50	DN 50
462053	Floor drain body type 46 DallBit, inlet DN 40, DN 50	DN 50
460059	Floor drain body type 46 S, inlet DN 40, DN 50	DN 50
495143	hair sieve S 10, d: 91 mm	d: 91 mm
495822	perforated collar/gravel guard S 10, d: 103 mm	
831569	raising piece type 85	
832566	raising piece type 85 DallBit	
830623	roof drain type 83 D clamp ring, DN 50	DN 50
830647	roof drain type 83 D clamp ring, DN 70	DN 70
832627	roof drain type 83 D DallBit, DN 50	DN 50
832641	roof drain type 83 D DallBit, DN 70	DN 70
832764	roof drain type 84 D DallBit, DN 100	DN 100
832726	roof drain type 84 D DallBit, DN 50	DN 50
832740	roof drain type 84 D DallBit, DN 70	DN 70
831668	roof drain type 84 D, clamp ring, DN 100	DN 100
831620	roof drain type 84 D, clamp ring, DN 50	DN 50
831644	roof drain type 84 D, clamp ring, DN 70	DN 70
495839	self-closing flap-valve S 10, d: 92 mm	d: 92 mm