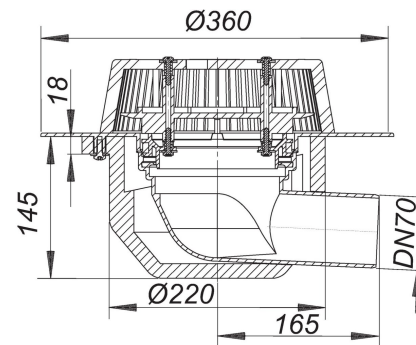


02. December 2021

**DALLMER****roof drain SuperDrain type 64 PVC, DN 70**

Product No. **671189**  
 EAN: 4001636671189  
 Discount group: 10



conforming to DIN EN 1253  
 for use with a calculated siphonic roof drainage system, moulded in PVC, PVC  
 membranes can be welded to the flange

specification:

- SuperDrain-insert
- insulated drain body
- side outlet DN 70, 3 degrees fall
- domed grate, secured

material:

PVC

Product No.	Description	Dimensions
621580	raising piece type 630 clamp ring	
622587	raising piece type 630 DallBit	
621573	raising piece type 630 FPO-PE	
671226	raising piece type 630 FPO-PP	
623584	raising piece type 630 PVC	