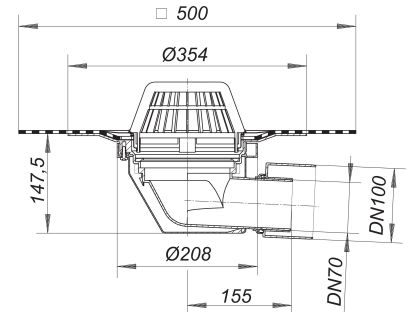


roof drain type 64 H DallBit, heated, DN 70/DN 100

Part number: 642172
 GTIN: 4001636642172
 Rebate group: 10



Description:

roof drain type 64 H DallBit, heated, DN 70/DN 100
 conforming to DIN EN 1253
 with factory-fitted collar of 5.0 mm modified bitumen membrane, 500 x 500 mm, welded to the flange and clamped with a stainless steel clamp ring

specification:

- insulated drain body
- side outlet DN 70/DN 100, 3 degrees fall
- domed grate
- temporary blanking plate

material:

polypropylene, UV-stabilized

H = roof drain heated version:

- Connect to 230 V supply, conforming to VDE 0721, Part 1/3.78
 - Power per drain: 15 watts
 - Current per drain: 0.06 amps
 - Suggested current per roof area: 16 amps
- H = roof drain heated version

Connect to 230 V supply, conforming to VDE 0721, Part 1/3.78

Power per drain: 15 watts

Current per drain: 0.06 amps

Suggested current per roof area: 16 amps

DN 70 connects to BS4514 75 mm pipework with 880345 adaptor