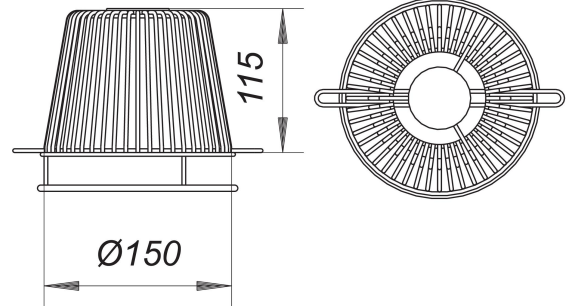

domed grating/gravel guard type S 15. stainless steel, d: 150 mm

Part number: 620934
GTIN: 4001636620934
Rebate group: 10



Description:

domed grating/gravel guard type S 15. stainless steel, d: 150 mm
used with roof drain types 62 and 64 as well as raising piece types 630

material:
304 stainless steel

Optional for use with roof drains 62 with fire installation kit!