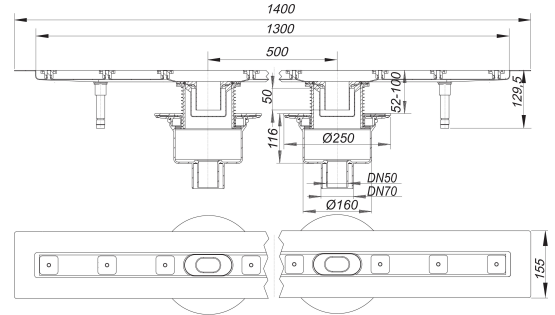


## shower channel CeraLine vertical F Duo 1300 mm, DN 50/DN 70

Part number: 521682  
 GTIN: 4001636521682  
 Rebate group: 8



### Description:

shower channel CeraLine vertical F Duo 1300 mm, DN 50/DN 70  
 conforming to DIN EN 1253

Linear drainage, with two floor drain bodies CIRCO V with +/- 15 mm lateral adjustment,  
 outlet DN 50/DN 70 vertical

#### specification

- sound-insulated height adjustable levelling legs
- integral sand coated flange for secure bonding of under-tile waterproofing
- removeable trap insert, 50 mm water seal (conforming to DIN EN 1253)
- height adjustable screws for levelling the cover-plate
- temporary blanking plate
- tiling gauges
- edge trim jig

#### material

channel 304 stainless steel, drain body polypropylene;

#### Options for CeraLine vertical F Duo:

Any made-to-measure length up to 2000 mm can be supplied. Please enquire!

The outlet connector can be supplied in ABS to suit British Standard sizes and PE-HD conforming to DIN EN 1519. Please enquire.

Fire protection system 1 ( Part No. 515018) applicable.

### Flow rates tested to DIN EN 1253:

Nominal diameter	Product standard	Min. flow rate according to norm	Water level according to norm
DN 50	DIN EN 1253	0.80 l/s	20.00 mm
DN 70	DIN EN 1253	0.80 l/s	20.00 mm

### Spare parts:

523983 adjustable pedestals

Dallmer GmbH + Co KG · Wiebelsheidestraße 25 · 59757 Arnsberg · Tel.: +49 2932 9616-0 · Fax: +49 2932 9616-222  
 www.dallmer.com · info@dallmer.de

Subject to modifications due to technical development, errors and misprints