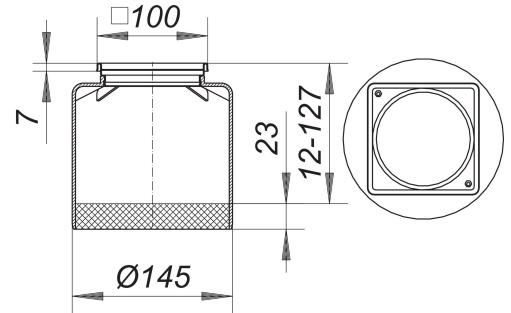


## frame ECS 15, 100 x 100 mm

Part number: 500564  
GTIN: 4001636500564  
Rebate group: 3



### Description:

frame ECS 15, 100 x 100 mm  
used with floor drains type 54, 55, 57, 58, 61 and 61/1  
frame 304 stainless steel, 100 x 100 mm, with threaded inserts,  
spigot polypropylene