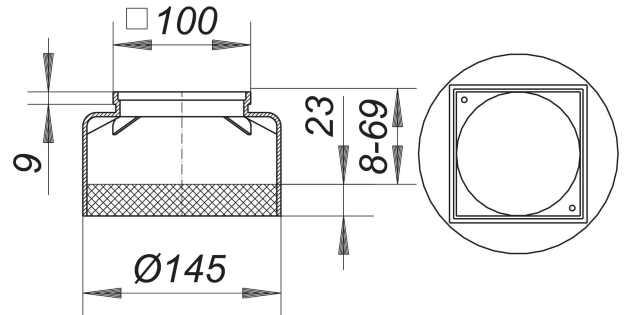


frame E 15, 100 x 100 mm

Part number: 500519
GTIN: 4001636500519
Rebate group: 3



Description:

frame E 15, 100 x 100 mm
used with floor drains type 54, 55, 57, 58, 61 and 61/1
frame polypropylene, 100 x 100 mm,
spigot polypropylene