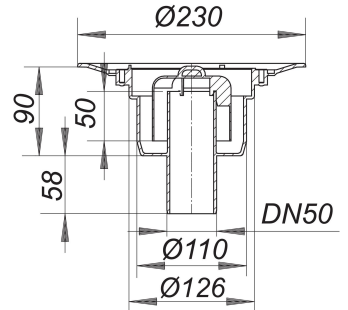


## Floor drain body type 40 S, DN 50

Part number: 405128  
 GTIN: 4001636405128  
 Rebate group: 3



### Description:

Floor drain body type 40 S, DN 50  
 conforming to DIN EN 1253  
 outlet DN 50 vertical

specification

- removable trap insert, 50 mm water seal (conforming to DIN EN 1253)
- temporary blanking plate

polypropylene

The outlet connector can be supplied in ABS to suit British Standard sizes and PE-HD conforming to DIN EN 1519. Please enquire.

Fire protection system 2 (Part No. 515025) applicable.

### Flow rates tested to DIN EN 1253:

Nominal diameter	Product standard	Min. flow rate according to norm	Water level according to norm
DN 50	DIN EN 1253	0.80 l/s	20.00 mm

### Spare parts:

590275 Bell trap for floor drain body type 40