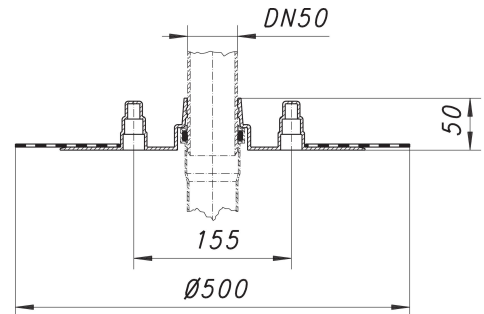


pipe sleeve DallBit, DN 50

Part number: 892027
GTIN: 4001636892027
Rebate group: 4



Description:

pipe sleeve DallBit, DN 50
seals around a pipe where it penetrates a slab

specification:

- factory-fitted collar of bituminous membrane d: 500 mm/500 x 500 mm (DN 150)
with two additional seals for water connections