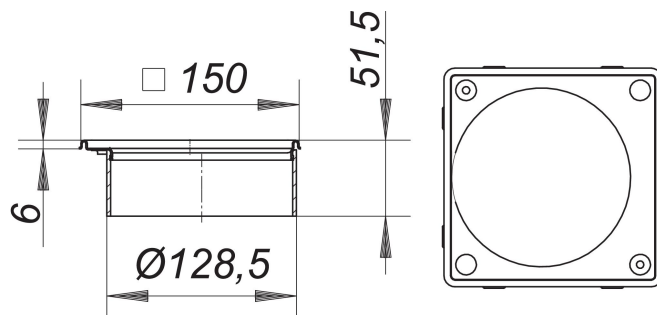


## Frame V, S 15/150, 304 stainless steel, 150 x 150 mm

Part number: 503022  
GTIN: 4001636503022  
Rebate group: 5



### Description:

Frame V, S 15/150, 304 stainless steel, 150 x 150 mm  
for CeraDrain-S 15 and TistoDrain S 15,  
height adjustable up to 40 mm with +/- 13 mm lateral adjustment, spigot ABS  
frame 304 stainless steel, with threaded inserts, 150 x 150 mm,

used with grates 140 x 140 mm