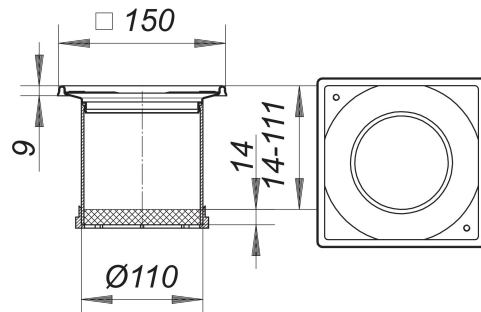

frame SES 10, 150 x 150 mm

Part number: 495259
GTIN: 4001636495259
Rebate group: 3



Description:

frame SES 10, 150 x 150 mm
used with floor drain types 40, 42 and 46, balcony drain body types 83 and 84
frame 304 stainless steel, with threaded inserts, 100 x 100 mm
spigot ABS, extendable with DN 100 plastic pipe

Spare parts:

495013 drainage ring S 10