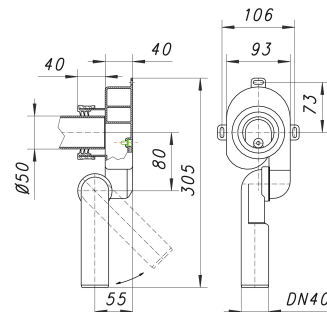


urinal trap HL 430, DN 40

Part number: 360014
GTIN: 4001636360014
Rebate group: 2



Description:

urinal trap HL 430, DN 40
conforming to DIN 19541 (DN 50)
for suction bowl urinals conforming to DIN 1390 with concealed outlet and with flush volume from 1 l up

specification:

- DN 50 or DN 40 connection, adjustable 0 - 90 degrees
- lip seals for d: 50 mm urinal outlet

material:

polypropylene

Spare parts:

368003 lip seal for HL 430, DN 50